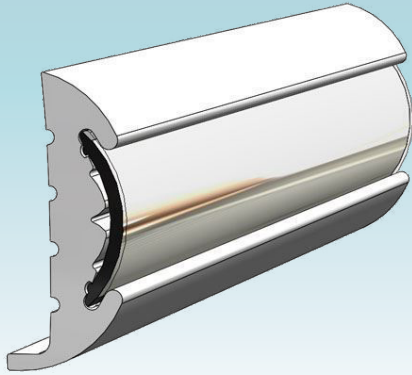




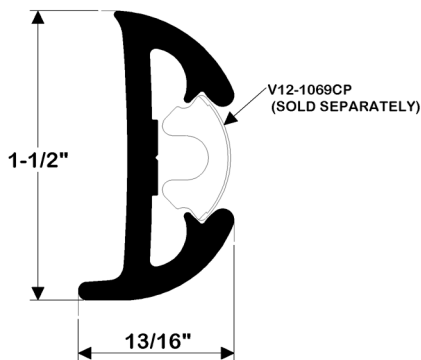
RIGID VINYL RUB RAIL ACCEPTS CHROME INSERT



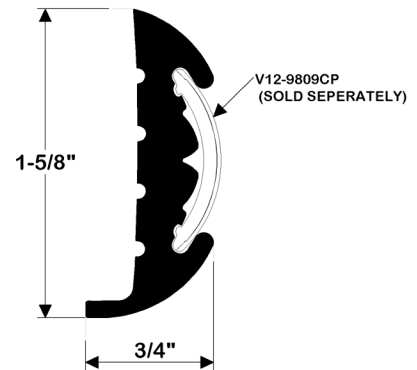
TACO Marine's line of flexible vinyl chrome inserts offer the elegant look of Stainless Steel while maintaining the easy handling, flexibility and cost savings of flexible vinyl. Flexible inserts install without fasteners for a clean, smooth look.

FEATURES & BENEFITS

- ▶ Hard durometer creates rigid-like look
- ▶ Continuous coil allows for one-piece installation without seams
- ▶ Tight radius bending can be made with little or no heating
- ▶ Accepts Flex Chrome Insert (sold separately)
- ▶ Drilled and countersunk for #8 screw on
 - ▶ 8" centers - V21-9662
 - ▶ 6" centers - V21-9811



V21-9662



V21-9811

PART #	LENGTH	COLOR	INSERT
V21-9662WHC20D	20'	Frosty White	V12-1069
V21-9811BKA20D	20'	Black	V12-9809
V21-9811WHD20D	20'	Silver White	V12-9809